

1940 K15 LED Moving Head

User Manual



This manual contains important information.
Please read before operating fixture.

1 SECURITY TIPS

WARNING!!! To reduce the risk of fire, electric shock, or injury to persons, follow these important safety instructions:

- Non-professionals, not to disassemble the light arbitrarily and lighting accessories inside.
- Rated voltage range: AC110V-120V/60Hz or AC200V-240V / 50HZ (to be selected).
- Not beam irradiate the flammable materials, flammable materials and the lamp should be maintained at least 1M over the distance.
- Lamps used in ambient temperature: -15 °C -40 °C, the highest temperature of the surface of the lamp: 60 °C.
- To keep away from the liquid substance and humid environment.
- Before using the lights must ensure the good grounding, can not install charging and remove any parts.
- The installation of lamps, must be fixed screw fasteners with additional security cable and regular inspection.
- Lamps consecutive working hours is not recommended more than 10 hours.
- Should stop using the lights in time when happens unusual conditions during the process
- Lamp parts of the rotation, external accessories and paste parts should be regular inspected, such as the emergence of loose and rock, should be reinforced in a timely manner to prevent the accident.
- Lamps adopt strong winds to refrigerate, it is easy to accumulate the dust, so you have to clean it weekly especially the cooling air opening, otherwise the dust will plug leading to poor light

2 TECHNOLOGY DETAILS

Input Voltage: AC90-260V 50/60Hz

Power Consumption: 760W

Light Source: 19pcs 40w 4-IN-1 LEDs (R, G, B, W)

LED Feature: Individual LED control of each color

Life time:50000hours

Zoom range:4.2-45degree

Zoom Motor:3pcs

Control mode:DMX512, master-slave, Sound, Auto

Channel: Basic Engine:Standard 22CH, Shapes 36CH

Pixel Engine: RGB 22+57(79)CH, RGBW 36+76(112)CH

IP20 protection rating

Net weight:15.7kg

Product size: 353.2x194.5x446.6mm

Specification:

Three operating modes: Beam, Wash, FX (Kaleido effects)

Bi-directional rotating front lens

Pixel Patterning Macros with enhanced control

Preset color and graphic effect macros

Menu-driven internal self-test function

0-100% smoothly dimmer

Slow Strobe: 1 flash/sec; Fast Strobe: 25 flash/sec, Adjustable speed stop/strobe effect

Dedicated channel for color temperature setting

White CT Emulation 2500-8000K

Display: LCD display, easy navigation to change Chinese/English, Can make screen inverted 180 degrees

Pan/Tilt Resolution: 16 bit

Dimmer Resolution: 16 bit

Movement: Pan 540degree, Tilt 210degree

DMX Signal connection: 3pole XLR in/out

Power connection: Powercon in/out

Aluminium structure with plastic cover

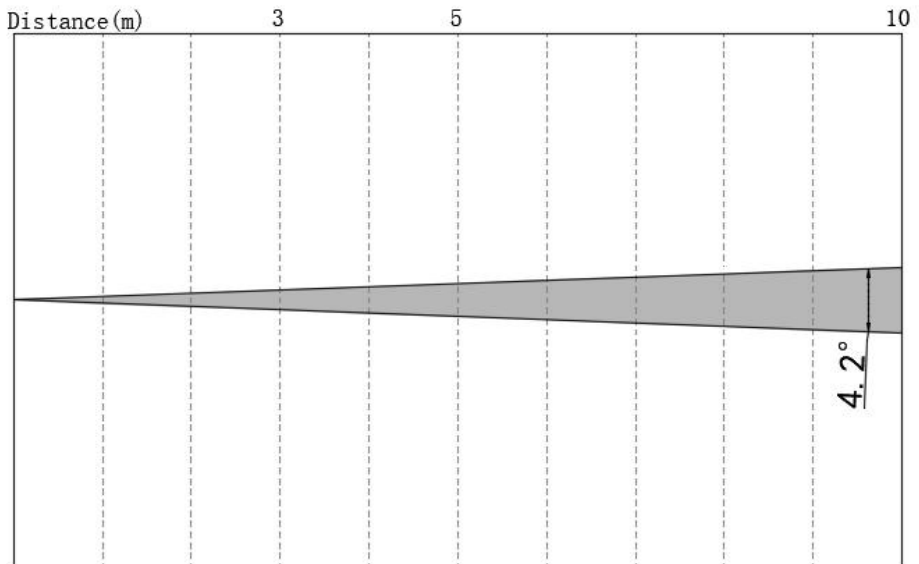
Two side handles for transportation

Working in any position

Hanging system: with fast-lock omega clamps (1/4 turn) on the base

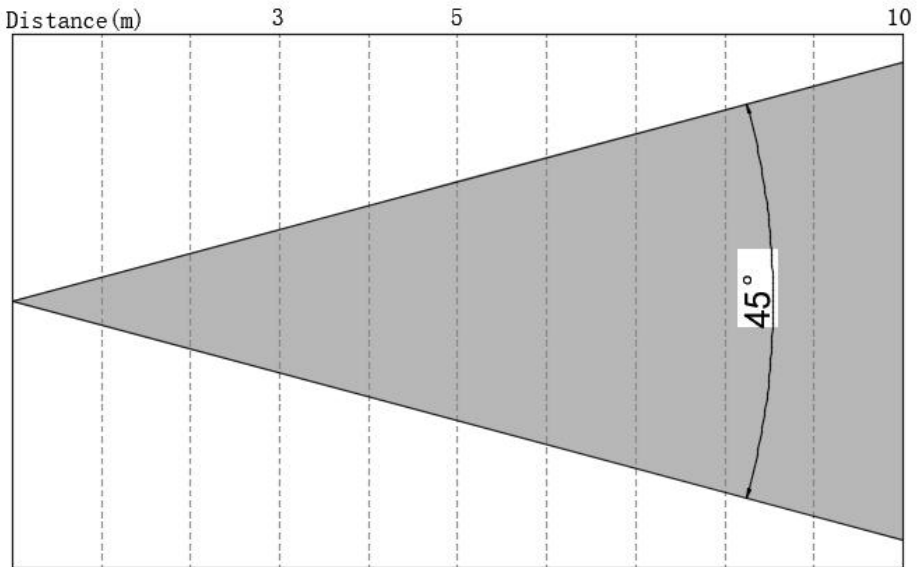
illuminance:

Minimum Zoom



Diameter (m)	0.22	0.37	0.8
RGBW (lux)	96000	37600	9900
R (lux)	5830	1825	610
G (lux)	24000	9100	2360
B (lux)	45500	16180	4900
W (lux)	31000	11020	2900

Maximum Zoom



Distance (m)	3	5	10
Diameter (m)	2.5	4.1	8.2
RGBW (lux)	8450	2780	980
R (lux)	580	182	70
G (lux)	2340	783	240
B (lux)	4430	1522	480
W (lux)	2370	810	300

3 Board Instruction

ADDRESS	001-512	
RUN	DMX512	
	Auto	
DMX MODE	22CH	
	36CH	
TEST	ALL	
SET	Display	Yes
		No
	Signal Keep	Yes
		No
	Slave	Yes
		No
	English	Yes
		No
	Pan Reverse	Yes
		No
	Tilt Reverse	Yes
		No
INFO	Version	V1.17
MANUAL	Pan	000-255
	Tilt	000-255
	Zoom	000-255
	Prism	000-255
	Red	000-255
	Green	000-255
	Blue	000-255
	White	000-255

	Strobe	000-255
RESET	All reset	Yes/No

4 DMX CHANNEL SHEET

Basic Engine

Standard CH	Shapes CH	Value	Function
1	1	0-255	Red
2	2	0-255	Red Fine
3	3	0-255	Green
4	4	0-255	Green Fine
5	5	0-255	Blue
6	6	0-255	Blue Fine
7	7	0-255	White
8	8	0-255	White Fine
9	9	0-255	Linear CTO,from 8000K-2500K
10	10	0-255	Macro Color, see Marco color table
11	11	0-255	Strobe
12	12	0-255	Dimmer
13	13	0-255	Dimmer Fine
14	14	0-255	Pan
15	15	0-255	Pan Fine
16	16	0-255	Tilt
17	17	0-255	Tilt Fine
18	18	0-11	No function
		12-24	Pan Tilt Fast(Default)
		25-37	Pan Tilt Normal
		38-102	No function
		103-105	Pixel map enabled
		106-255	No function
19	19	0-255	Reset
20	20	0-255	Zoom

21	21	0-255	Zoom Rotation
22	-	0-255	Reserve
-	22	0-255	Shape Selection
-	23	0-255	Shape Speed
-	24	0-255	Reserve
-	25	0-255	Shape R
-	26	0-255	Shape G
-	27	0-255	Shape B
-	28	0-255	Shape W
-	29	0-255	Shape Dimmer
-	30	0-255	Backgroud Dimmer
-	31	0-255	Reserve
-	32	0-255	Reserve
-	33	0-255	Reserve
-	34	0-255	Reserve
-	35	0-255	Background Select color
-	36	0-255	Reserve

Pixel Engine

Pixel Engine need to be enabled through the **Function** Channel 18 (Value 103-105)

RGB working with **Standard**(22CH), open 18CH(103-105), 23CH is Red LED1, 24CH is Green LED1, 25CH is Blue LED1.....

RGB CH	Value	Function
1	0-255	Red LED1
2	0-255	Green LED1
3	0-255	Blue LED1
.....	0-255	Red LED.....
.....	0-255	Green LED.....
.....	0-255	Blue LED.....
55	0-255	Red LED19

56	0-255	Green LED19
57	0-255	Blue LED19

RGBW working with **Shapes(36CH)**, open 18CH(103-105), 37CH is Red LED1, 38CH is Green LED1, 39CH is Blue LED1,40CH is White LED1.....

RGBW CH	Value	Function
1	0-255	Red LED1
2	0-255	Green LED1
3	0-255	Blue LED1
4	0-255	White LED1
.....	0-255	Red LED.....
.....	0-255	Green LED.....
.....	0-255	Blue LED.....
.....	0-255	White LED.....
73	0-255	Red LED19
74	0-255	Green LED19
75	0-255	Blue LED19
76	0-255	White LED19

Macro Color table

DMX Value	Color	Bit Value			
		R	G	B	W
0-9	Macro color OFF	-	-	-	-
10	Red	255	0	0	0
11	Green	0	255	0	0
12	Blue	0	0	255	0
13	Cyan	0	255	255	0
14	Yellow	255	255	0	0
15	Magenta	255	0	255	0
16	White 7000 K	216	237	61	255
17	White 3700 K	255	201	25	255
18	White 5000 K	255	137	0	193

19	Black	0	0	0	0
20-22	Medium Yellow	156	126	0	0
23-26	Straw Tint	152	115	9	0
27-28	Surprise Peach	198	114	9	0
29	Fire	255	56	0	0
30	Medium Amber	255	135	0	0
31	Gold Amber	255	100	0	0
32-34	Dark Amber	255	65	0	0
35-44	Sunrise Red	255	83	2	0
45	Light Pink	255	112	0	141
46-48	Medium Pink	255	87	0	107
49-61	Pink Carnation	255	107	0	130
62-67	Light Lavender	243	117	39	197
68-77	Lavender	243	117	133	199
78-88	Sky Blue	0	255	135	0
89-99	Just Blue	0	194	130	0
100-109	Dark yellow green	41	219	0	0
110-111	Spring Yellow	245	202	0	0
112	Light Amber	237	163	0	0
113	Straw	230	160	0	69
114	Deep Amber	255	166	0	0
115-116	Orange	255	122	0	0
117	Light Rose	255	141	31	0
118	English Rose	255	148	23	0
119	Light Salmon	255	138	31	0
120	Middle Rose	217	130	28	0
121-122	Dark Pink	255	109	33	0
123-124	Magenta	255	20	15	0
125	Peacock Blue	51	255	51	0
126	Med Blu Green	206	255	56	0
127	Steel Blue	206	255	56	0
128	Light Blue	74	255	82	0
129-130	Dark Blue	0	186	255	0

131-133	Leaf Green	206	255	0	0
134-135	Dark Green	84	255	13	0
136-137	Mauve	227	41	56	0
138-141	Bright Pink	255	53	36	0
142-144	Medium Blue	0	255	143	0
145	Deep Golden Amber	255	58	0	0
146	Pale Lavender	255	197	61	0
147-148	Special lavender	219	197	79	0
149-150	Primary Green	77	255	0	0
151-156	Bright Blue	0	255	87	0
157-161	Apricot	255	143	13	0
162-167	Pale Gold	253	171	26	0
168-171	Deep Orange	222	84	0	0
172-173	Bastard Amber	255	181	28	0
174	Flame Red	255	46	2	0
175-178	Daylight Blue	82	214	90	0
179	Lilac Tint	255	199	49	0
180-183	Deep lavender	255	168	64	0
184-190	Dark Steel Blue	181	255	95	0
191-206	Congo Blue	77	0	255	0
207	Alice Blue	128	255	143	0
208	Dirty White	255	255	122	255
209-255	White	255	235	66	255

5 FIXED EQUIPMENT

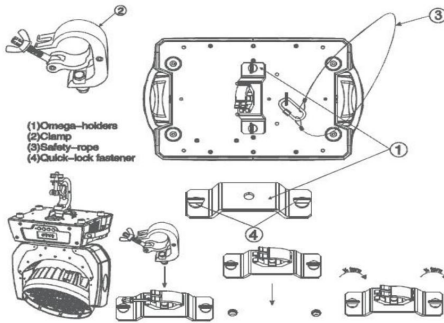
Please keep the equipment far away from the flammable objects like finishing material, etc. keep at least 0.5m distance from the flammable objects.

Warning: using two lamp clamps fix the equipment on the bottom of the lamp holder according to the instruction. to make sure the place of install the lamp is safe and suitable ,and the installation point that have chosen is safety and reliable.

The place of installing the lamp must support the 10 times weight of the lamp itself. And test the pensile place and make sure the place isn't out of the shape.

Must install the second protection when fixing the equipment like proper protective screening. The second protection is used to prevent drop off and lost of lamp and components.


Lamps can directly install the lamp holder , which is shown in the figure:



6 MAIN MACHINE CONNECTION

Please checking the power equipment supported.

Please put the plug of power source wire connect with the main power source .

(EU)Wire	Wire(America)	Direction of wire	General marks
Brown	Black	Live	L
Light blue	White	Neutral	N
Yellow/Green	Green	Earth	



Warranty Card

Name	Model
------	-------

Production	Purchase
------------	----------

End User

Company Name:

Add:

Sale Store

Link man:

Tel: Stamp

Description: These must be truthfully fill, seal by the end-user and point-of-sale, or else the warranty will not work (warranty period and terms, see the following)

warranty period: one year since purchase warranty terms: 1、If fail when using the product in normal state, you can made under the provisions of the warranty, show the warranty card and purchase bills(copy), and enjoy free maintenance service in a specific service center or the manufacturer.

2. The following will be the implementation of paid service:

- (1)Without the effective warranty card
- (2)There's blank, alter and no point-of-sale name
- (3)Fail caused by unresistance
- (4)Fail caused by transportation or unloading
- (5)Fail caused by not operate by manual
- (6)Fail caused by disassemble without unauthozed
- (7)Fail caused by using the unauthozed control system

Note:

Based on our company continue to improve the product, the statement containing data may have changed, and will not notice the change any more. Company retains its right to change specifications related when product is improved. Thanks for your understanding.